



### General Characteristics of Solar Exhaust Fan with Curb Mount Flange, SunnyVentCurb.

The Solar Fan with Curb Mount Flange uses both solar and wind to power the ventilator. It works best in bright direct sunlight on South facing roofs. However, it exhausts air continuously even when there is no sun and the motor is off. It works passively because of the Venturi Effect. When the wind blows against the outer louvers this creates an upward draft which allows air to freely flow in and out of the vent.

This Solar Fan comes in an array of diameters and collar heights allowing for installation in any climate zone. They have been engineered to fit over roof curbs of the same diameter. The additional height from the roof curbs adds additional protection to the fan.

The curb mount flange design is intended for installation on top of roof curbs.

The 1/8 inch louvers are designed to prevent rain, snow, insects and animals from entering inside the fan. This Attic Fan is also available with an optional Shut-Off Switch. All Solar Fans come with a 1-Year Warranty.

### Product Applications of Solar Exhaust Fan with Curb Mount Flange, SunnyVentCurb.

It adapts to residential and commercial buildings, as well as roofs with flat or steep slopes. A professional can install a Gravity Ventilator in any climate zone and on all types of roofs.

Refer to the Climate Zone Chart to determine the appropriate collar height for installation in your area. Homeowners and professionals can install these vents on both new roofs and to replace old roof turbines.

Refer to the installation instructions provided by AVP to ensure proper installation and maximize the vent's effectiveness. Roof vents require no maintenance.

### Warranty of Solar Exhaust Fan with Curb Mount Flange, SunnyVentCurb.

Manufacturer's Warranty: 1-Year



**Active  
Ventilation  
Products**

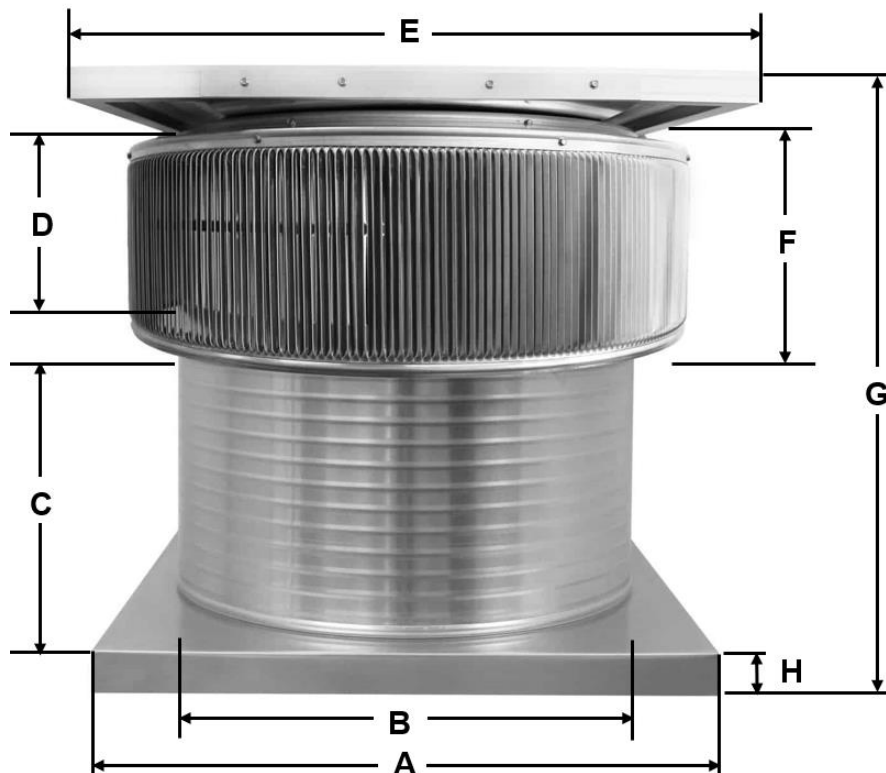


### Specific Characteristics of Solar Exhaust Fan with Curb Mount Flange, SunnyVentCurb.

Item #	Manufacturing #	Diameter	Tall Collar	CMF Width	Air Removal		Voltage V	Solar Panel W	Watts W	Total W	Net Free Vent Area		Weight and Dimensions with Packaging	
					CFM	m <sup>3</sup> /hr					(sq. inches)	(sq. feet)	Lbs.	L, W, H In
USNCB-001	ASF-4-C4-CMF	4"	4"	7.5"	91	154	12	3	3	3	12	0.08	4	10,13,10
USNCB-002	ASF-4-C6-CMF	4"	6"	7.5"	91	154	12	3	3	3	12	0.08	4	10,15,10
USNCB-003	ASF-4-C8-CMF	4"	8"	7.5"	91	154	12	3	3	3	12	0.08	4	10,17,10
USNCB-004	ASF-4-C12-CMF	4"	12"	7.5"	91	154	12	3	3	3	12	0.08	4	10,21,10
USNCB-005	ASF-6-C4-CMF	6"	4"	9.5"	205	348	12	3	3.12	3.12	29	0.19	5	12,13,12
USNCB-006	ASF-6-C6-CMF	6"	6"	9.5"	205	348	12	3	3.12	3.12	29	0.19	5	12,15,12
USNCB-007	ASF-6-C8-CMF	6"	8"	9.5"	205	348	12	3	3.12	3.12	29	0.19	5	12,17,12
USNCB-008	ASF-6-C12-CMF	6"	12"	9.5"	205	348	12	3	3.12	3.12	29	0.19	5	12,20,12
USNCB-009	ASF-8-C4-CMF	8"	4"	11.5"	365	620	12	5	3.6	3.6	50	0.35	8	14,13,14
USNCB-010	ASF-8-C6-CMF	8"	6"	11.5"	365	620	12	5	3.6	3.6	50	0.35	8	14,15,14
USNCB-011	ASF-8-C8-CMF	8"	8"	11.5"	365	620	12	5	3.6	3.6	50	0.35	8	14,17,14
USNCB-012	ASF-8-C12-CMF	8"	12"	11.5"	365	620	12	5	3.6	3.6	50	0.35	8	14,21,14
USNCB-013	ASF-10-C4-CMF	10"	4"	13.5"	524	890	12	10	3.12	3.12	78	0.55	14	16,14,16
USNCB-014	ASF-10-C6-CMF	10"	6"	13.5"	524	890	12	10	3.12	3.12	78	0.55	14	16,16,16
USNCB-015	ASF-10-C8-CMF	10"	8"	13.5"	524	890	12	10	3.12	3.12	78	0.55	14	16,18,16
USNCB-016	ASF-10-C12-CMF	10"	12"	13.5"	524	890	12	10	3.12	3.12	78	0.55	14	16,22,16
USNCB-017	ASF-12-C4-CMF	12"	4"	16"	740	1257	12	10	3.6	14.4	113	0.78	15	18,14,18
USNCB-018	ASF-12-C6-CMF	12"	6"	16"	740	1257	12	10	3.6	14.4	113	0.78	15	18,16,18
USNCB-019	ASF-12-C8-CMF	12"	8"	16"	740	1257	12	10	3.6	14.4	113	0.78	15	18,18,18
USNCB-020	ASF-12-C12-CMF	12"	12"	16"	740	1257	12	10	3.6	14.4	113	0.78	15	18,22,18
USNCB-021	ASF-14-C4-CMF	14"	4"	18"	1007	1710	12	15	3.6	14.4	144	1	18	19,14,19
USNCB-022	ASF-14-C6-CMF	14"	6"	18"	1007	1710	12	15	3.6	14.4	144	1	18	19,16,19
USNCB-023	ASF-14-C8-CMF	14"	8"	18"	1007	1710	12	15	3.6	14.4	144	1	18	19,18,19
USNCB-024	ASF-14-C12-CMF	14"	12"	18"	1007	1710	12	15	3.6	14.4	144	1	18	19,22,19
USNCB-025	ASF-16-C4-CMF	16"	4"	20"	1375	2336	12	20	3.6	32.4	200	1.39	19	21,16,21
USNCB-026	ASF-16-C6-CMF	16"	6"	20"	1375	2336	12	20	3.6	32.4	200	1.39	19	21,18,21
USNCB-027	ASF-16-C8-CMF	16"	8"	20"	1375	2336	12	20	3.6	32.4	200	1.39	19	21,20,21
USNCB-028	ASF-16-C12-CMF	16"	12"	20"	1375	2336	12	20	3.6	32.4	200	1.39	19	21,24,21
USNCB-029	ASF-18-C4-CMF	18"	4"	22"	1740	2956	12	30	3.4	30.48	254	1.76	21	23,16,23
USNCB-030	ASF-18-C6-CMF	18"	6"	22"	1740	2956	12	30	3.4	30.48	254	1.76	21	23,18,23
USNCB-031	ASF-18-C8-CMF	18"	8"	22"	1740	2956	12	30	3.4	30.48	254	1.76	21	23,20,23
USNCB-032	ASF-18-C12-CMF	18"	12"	22"	1740	2956	12	30	3.4	30.48	254	1.76	21	23,24,23
USNCB-033	ASF-20-C4-CMF	20"	4"	24"	2029	3447	12	40	3.4	41.28	314	2.18	26	25,17,25
USNCB-034	ASF-20-C6-CMF	20"	6"	24"	2029	3447	12	40	3.4	41.28	314	2.18	26	25,19,25
USNCB-035	ASF-20-C8-CMF	20"	8"	24"	2029	3447	12	40	3.4	41.28	314	2.18	26	25,21,25
USNCB-036	ASF-20-C12-CMF	20"	12"	24"	2029	3447	12	40	3.4	41.28	314	2.18	26	25,25,25
USNCB-037	ASF-24-C4-CMF	24"	4"	28"	2971	5047	12	60	3.5	55.68	452	3.14	27	29,18,29
USNCB-038	ASF-24-C6-CMF	24"	6"	28"	2971	5047	12	60	3.5	55.68	452	3.14	27	29,20,29
USNCB-039	ASF-24-C8-CMF	24"	8"	28"	2971	5047	12	60	3.5	55.68	452	3.14	27	29,22,29
USNCB-040	ASF-24-C12-CMF	24"	12"	28"	2971	5047	12	60	3.5	55.68	452	3.14	27	29,26,29



Dimensions (In.) of Solar Exhaust Fan with Curb Mount Flange, SunnyVentCurb.									
Series		A	B	C	D	E	F	G	H
USNCB-001	ASF-4-C4-CMF	9"	4"	4 1/4"	4"	7 1/2"	7"	12"	2"
USNCB-002	ASF-4-C6-CMF	9"	4"	6 1/4"	4"	7 1/2"	7"	14"	2"
USNCB-003	ASF-4-C8-CMF	9"	4"	8 1/4"	4"	7 1/2"	7"	16"	2"
USNCB-004	ASF-4-C12-CMF	9"	4"	12 1/4"	4"	7 1/2"	7"	20"	2"
USNCB-005	ASF-6-C4-CMF	11"	6"	4"	4"	7 1/2"	7"	12"	2"
USNCB-006	ASF-6-C6-CMF	11"	6"	6"	4"	7 1/2"	7"	13 7/8"	2"
USNCB-007	ASF-6-C8-CMF	11"	6"	8"	4"	7 1/2"	7"	15 7/8"	2"
USNCB-008	ASF-6-C12-CMF	11"	6"	11"	4"	7 1/2"	7"	18 7/8"	2"
USNCB-009	ASF-8-C4-CMF	13"	8"	4"	4"	8 3/4"	7 1/8"	11 3/4"	2"
USNCB-010	ASF-8-C6-CMF	13"	8"	6"	4"	8 3/4"	7 1/8"	13 3/4"	2"
USNCB-011	ASF-8-C8-CMF	13"	8"	8"	4"	8 3/4"	7 1/8"	15 3/4"	2"
USNCB-012	ASF-8-C12-CMF	13"	8"	12"	4"	8 3/4"	7 1/8"	19 3/4"	2"
USNCB-013	ASF-10-C4-CMF	15"	10"	4"	4"	12"	7 1/8"	12 1/4"	2"
USNCB-014	ASF-10-C6-CMF	15"	10"	6"	4"	12"	7 1/8"	14 1/4"	2"
USNCB-015	ASF-10-C8-CMF	15"	10"	8"	4"	12"	7 1/8"	16 1/4"	2"
USNCB-016	ASF-10-C12-CMF	15"	10"	12"	4"	12"	7 1/8"	20 1/4"	2"
USNCB-017	ASF-12-C4-CMF	17"	12"	4"	4"	12"	7 1/4"	12 1/2"	2"
USNCB-018	ASF-12-C6-CMF	17"	12"	6"	4"	12"	7 1/4"	14 1/2"	2"
USNCB-019	ASF-12-C8-CMF	17"	12"	8"	4"	12"	7 1/4"	16 1/2"	2"
USNCB-020	ASF-12-C12-CMF	17"	12"	12"	4"	12"	7 1/4"	20 1/2"	2"
USNCB-021	ASF-14-C4-CMF	18"	14"	4 1/2"	4"	18"	6"	12"	2"
USNCB-022	ASF-14-C6-CMF	18"	14"	6 1/2"	4"	18"	6"	14"	2"
USNCB-023	ASF-14-C8-CMF	18"	14"	8 1/2"	4"	18"	6"	16"	2"
USNCB-024	ASF-14-C12-CMF	18"	14"	12 1/2"	4"	18"	6"	20"	2"
USNCB-025	ASF-16-C4-CMF	20"	16"	4"	5 1/2"	21"	8"	14"	2"
USNCB-026	ASF-16-C6-CMF	20"	16"	6"	5 1/2"	21"	8"	16"	2"
USNCB-027	ASF-16-C8-CMF	20"	16"	8"	5 1/2"	21"	8"	18"	2"
USNCB-028	ASF-16-C12-CMF	20"	16"	12"	5 1/2"	21"	8"	22"	2"
USNCB-029	ASF-18-C4-CMF	22"	18"	4"	5 1/2"	23"	8"	14"	2"
USNCB-030	ASF-18-C6-CMF	22"	18"	6"	5 1/2"	23"	8"	16"	2"
USNCB-031	ASF-18-C8-CMF	22"	18"	8"	5 1/2"	23"	8"	18"	2"
USNCB-032	ASF-18-C12-CMF	22"	18"	12"	5 1/2"	23"	8"	22"	2"
USNCB-033	ASF-20-C4-CMF	24"	20"	4"	6 1/2"	25"	9"	15"	2"
USNCB-034	ASF-20-C6-CMF	24"	20"	6"	6 1/2"	25"	9"	17"	2"
USNCB-035	ASF-20-C8-CMF	24"	20"	8"	6 1/2"	25"	9"	19"	2"
USNCB-036	ASF-20-C12-CMF	24"	20"	12"	6 1/2"	25"	9"	23"	2"
USNCB-037	ASF-24-C4-CMF	28"	24"	4"	7 1/2"	29"	10"	16"	2"
USNCB-038	ASF-24-C6-CMF	28"	24"	6"	7 1/2"	29"	10"	18"	2"
USNCB-039	ASF-24-C8-CMF	28"	24"	8"	7 1/2"	29"	10"	20"	2"
USNCB-040	ASF-24-C12-CMF	28"	24"	12"	7 1/2"	29"	10"	24"	2"



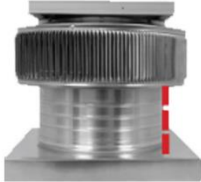




Gallery Image of Solar Exhaust Fan with Curb Mount Flange, SunnyVentCurb.



Diameter



4" Tall Collar



6" Tall Collar



8" Tall Collar

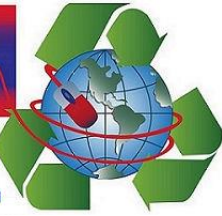


12" Tall Collar



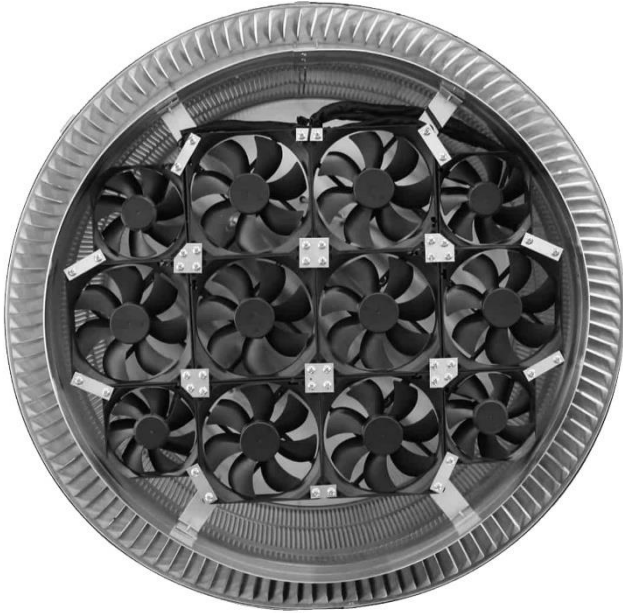
**VentDepot** .com

Ecological HVAC Supply & Engineering  
1-888-514-1516, (626) 771-0048, F: (626) 771-0047  
sales@ventdepot.com www.VentDepot.com



# SunnyVentCurb

Data Sheet







# SunnyVentCurb

Data Sheet



ID	Author	Description Error	Description Update	Supervisor Name
V1	Marcela Roldán	Technical Sheet Nueva	Technical Sheet Nueva	J.L.