



RoundBackJack

Data Sheet

General Characteristics of the Round Back Residential Roof Jack Vent Cap, RoundBackJack.

The Round Back Roof Jack is used for ventilating bathroom fans or other duct applications. In addition, the round design is aerodynamic to withstand wind speeds up to 200 mph. It allows for maximum air to flow while alleviating back pressure. Most importantly, this Roof Jack comes in an array of sizes with optional curb mount flange for additional clearance.

The RoundBackJack is engineered to stop insects and wildlife from entering the duct. It is also designed to prevent rain or snow from entering. See the Climate Zone Chart to determine the collar height for your area. These vents have an all-aluminum construction. To clarify, this means they are durable, lightweight, and will not rust.

The RoundBackJack tail pipe is approximately 2 inches long and is corrugated at the bottom to fit existing duct work. This allows for a quick and easy installation.

Product Applications of the Round Back Residential Roof Jack Vent Cap, RoundBackJack.

RoundBackJack are ideal for venting bathroom fans or other duct applications.

Warranty of the Round Back Residential Roof Jack Vent Cap, RoundBackJack.

Manufacturer's Warranty: 1-Year



**Active
Ventilation
Products**

Specific Characteristics of the Round Back Residential Roof Jack Vent Cap, RoundBackJack.

Item #	Manufacturing #	Diameter	Tall Collar	NFA		Application per Sq. Foot		Pitch Capacity		Weight and Dimensions with Packaging	
				Net Free Area							
				Sq. in.	Sq. feet.	1/150	1/300	Min	Max (Modified)	Lbs.	W,H,D In
USRBJ-001	RBV-3-C2-TP	3"	2"	7	0.05	15	30	3/12	12/12	0.75	10,8,10
USRBJ-002	RBV-3-C4-TP	3"	4"	7	0.05	15	30	3/12	12/12	1	10,10,10
USRBJ-003	RBV-4-C2-TP	4"	2"	12	0.08	25	50	3/12	12/12	1	11,8,11
USRBJ-004	RBV-4-C4-TP	4"	4"	12	0.08	25	50	3/12	12/12	1.5	11,10,11
USRBJ-005	RBV-5-C2-TP	5"	2"	19	0.13	39	79	3/12	12/12	1.5	12,8,12
USRBJ-006	RBV-5-C4-TP	5"	4"	19	0.13	39	79	3/12	12/12	2	12,10,12
USRBJ-007	RBV-6-C2-TP	6"	2"	28	0.19	58	108	3/12	12/12	2	14,9,14
USRBJ-008	RBV-6-C4-TP	6"	4"	28	0.19	58	108	3/12	12/12	2.5	14,11,14
USRBJ-009	RBV-7-C2-TP	7"	2"	38	0.26	79	158	3/12	12/12	2.5	14,9,14
USRBJ-010	RBV-7-C4-TP	7"	4"	38	0.26	79	158	3/12	12/12	3	14,11,14



RoundBackJack

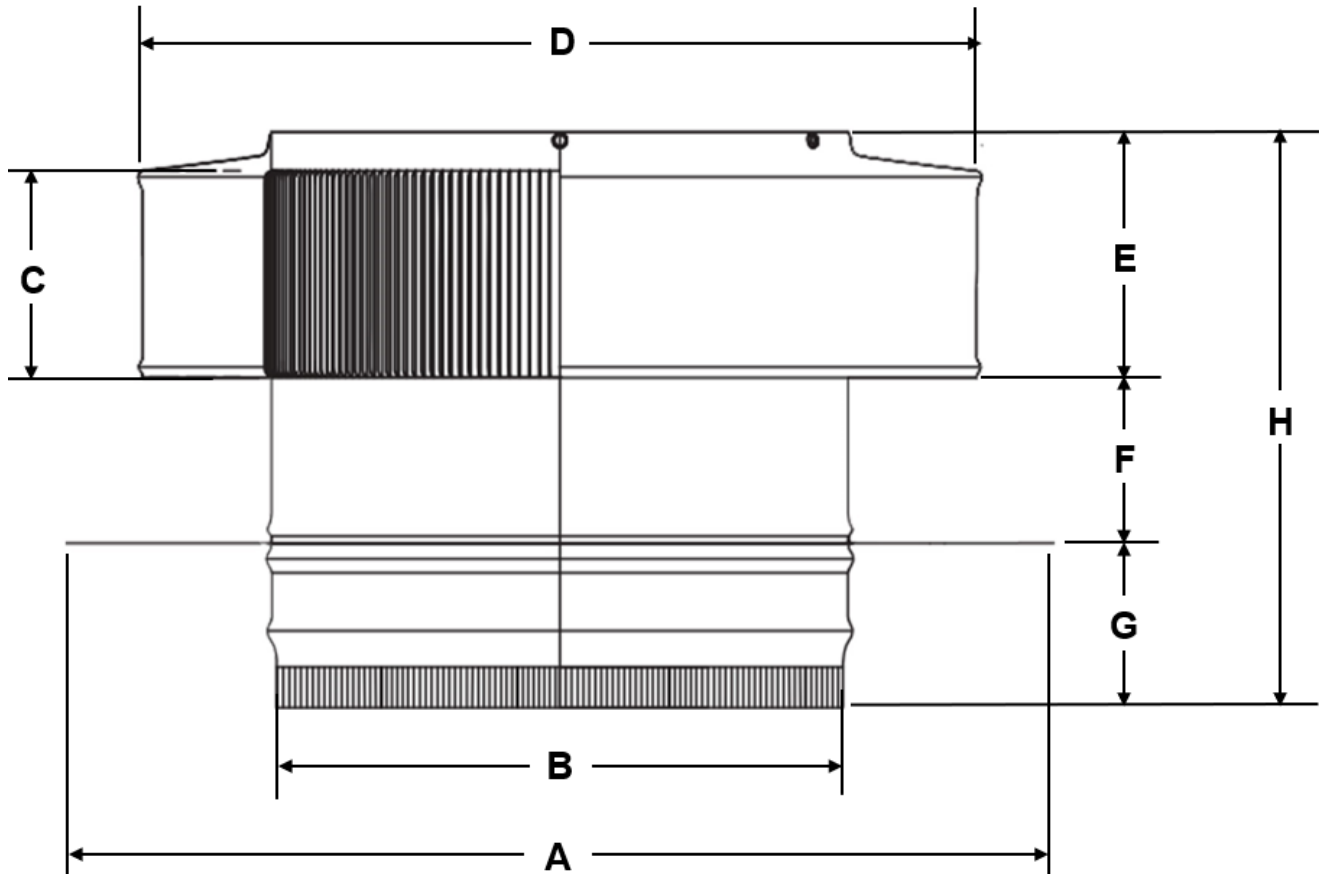
Data Sheet

Specific Characteristics of the Round Back Residential Roof Jack Vent Cap, RoundBackJack.

Item #	Manufacturing #	Diameter	Tall Collar	NFA		Application per Sq. Foot		Pitch Capacity		Weight and Dimensions with Packaging	
				Sq. in.	Sq. feet.	1/150	1/300	Min	Max (Modified)	Lbs.	W,H,D In
USRBJ-011	RBV-8-C2-TP	8"	2"	50	0.35	104	208	3/12	12/12	3	15,9,15
USRBJ-012	RBV-8-C4-TP	8"	4"	50	0.35	104	208	3/12	12/12	3.5	15,11,15
USRBJ-013	RBV-9-C2-TP	9"	2"	63	0.44	131	262	3/12	12/12	3.5	16,9,16
USRBJ-014	RBV-9-C4-TP	9"	4"	63	0.44	131	262	3/12	12/12	4	16,11,16
USRBJ-015	RBV-10-C2-TP	10"	2"	78	0.54	162	325	3/12	12/12	4	18,7,18
USRBJ-016	RBV-10-C4-TP	10"	4"	78	0.54	162	325	3/12	12/12	4.5	18,9,18

Specific Characteristics of the Round Back Residential Roof Jack Vent Cap, RoundBackJack.

Series		A	B	Height	C	Opening	D	E	F	G	H
USRBJ-001	RBV-3-C2-TP	8"	3"	1.5"	0.11"	5.2"	2"	2"	2"	2"	6"
USRBJ-002	RBV-3-C4-TP	8"	3"	1.5"	0.11"	5.2"	2"	4"	2"	2"	8"
USRBJ-003	RBV-4-C2-TP	9"	4"	1.5"	0.11"	7.2"	2"	2"	2"	2"	6"
USRBJ-004	RBV-4-C4-TP	9"	4"	1.5"	0.11"	7.2"	2"	4"	2"	2"	8"
USRBJ-005	RBV-5-C2-TP	10"	5"	1.5"	0.11"	8.2"	2"	2"	2"	2"	6"
USRBJ-006	RBV-5-C4-TP	10"	5"	1.5"	0.11"	8.2"	2"	4"	2"	2"	8"
USRBJ-007	RBV-6-C2-TP	12"	6"	2.5"	0.11"	9.2"	3"	2"	2"	2"	7"
USRBJ-008	RBV-6-C4-TP	12"	6"	2.5"	0.11"	9.2"	3"	4"	2"	2"	9"
USRBJ-009	RBV-7-C2-TP	12"	7"	2.5"	0.11"	10.2"	3"	2"	2"	2"	7"
USRBJ-010	RBV-7-C4-TP	12"	7"	2.5"	0.11"	10.2"	3"	4"	2"	2"	9"
USRBJ-011	RBV-8-C2-TP	13"	8"	2.5"	0.11"	11.2"	3"	2"	2"	2"	7"
USRBJ-012	RBV-8-C4-TP	13"	8"	2.5"	0.11"	11.2"	3"	4"	2"	2"	9"
USRBJ-013	RBV-9-C2-TP	14"	9"	2.5"	0.11"	12.2"	3"	2"	2"	2"	7"
USRBJ-014	RBV-9-C4-TP	14"	9"	2.5"	0.11"	12.2"	3"	4"	2"	2"	9"
USRBJ-015	RBV-10-C2-TP	16"	10"	2.5"	0.11"	14.5"	3"	2"	0	0	5"
USRBJ-016	RBV-10-C4-TP	16"	10"	2.5"	0.11"	14.5"	3"	4"	0	0	7"





RoundBackJack

Data Sheet

Gallery Images of the Round Back Residential Roof Jack Vent Cap, RoundBackJack.





RoundBackJack

Data Sheet



ID	Author	Description Error	Description Update	Supervisor Name
V1	Marcela Roldán	Technical Sheet Nueva	Technical Sheet Nueva	J.L.