



BootVent

Data Sheet

General Characteristics of the Boot Vent Kit, BootVent.

A boot vent is a roof flashing for waterproofing pipe penetrations of a roof. Roof boots typically cover pipes that run up from kitchens and bathrooms out through the roof. For example, some of these penetrations may include plumbing vent pipes and electrical service mast pipes. This will protect those penetrations from leaks.

The Boot Vent Kit comes with three parts to ensure protection of the home and roof.

AVP's Boot Vent Kit consists of three main components:

- Vent Cap
- Collar Base
- Boot from Flashco

Roofs expand and contract due to changes in the outside temperature. As the roof moves, plastic boots can shift, peel up or crack, resulting in roofing issues such as leaks.

However, AVP's boot flashing will shed water away from the penetration with the base material wrapping up into the riser. The flashings are factory-certified prefabricated flashings made from 60 mil reinforced PVC membrane. They will snugly fit over cylindrical penetrations typically found on PVC low slope roofs. Prefabricated parts for quick and easy installation. Intended for low slope or flat PVC roofs.

Comes with vent cap, base and white boot flashing. Engineered to prevent rain, snow, and wildlife from entering.

Boot flashing is constructed of reinforced PVC membrane.

Vent Cap and base are made of durable rust-free aluminum.

Product Applications of the Boot Vent Kit, BootVent.

It can be used in residential, commercial, industrial, agricultural, storage facilities, and refrigeration and freezing installations. It can be employed in various environments to provide thermal insulation and moisture protection in the area where the roof meets the exterior walls of the building.

Warranty of the Boot Vent Kit, BootVent.

Manufacturer's Warranty: 1-Year



**Active
Ventilation
Products**



BootVent

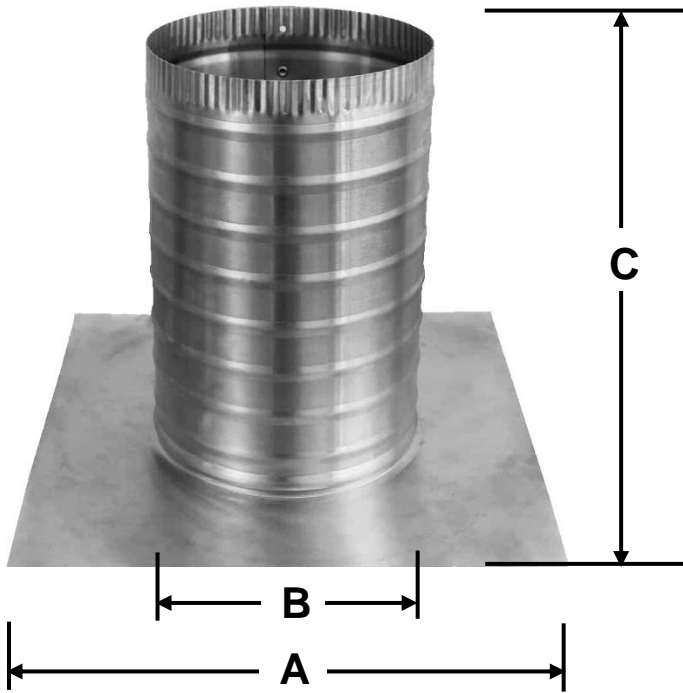
Data Sheet

Specific Characteristics of the Boot Vent Kit, BootVent.

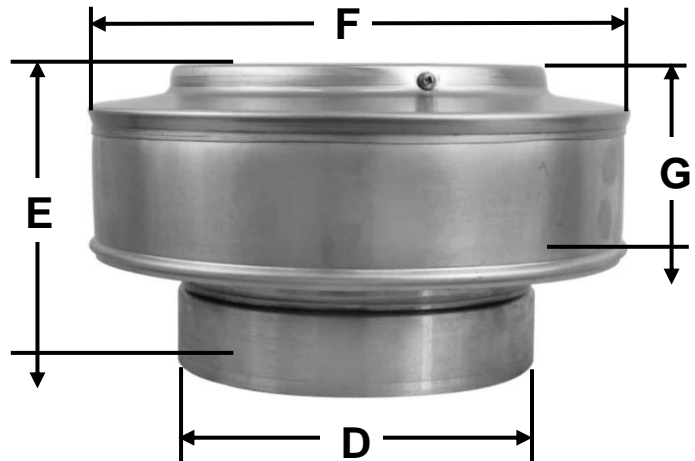
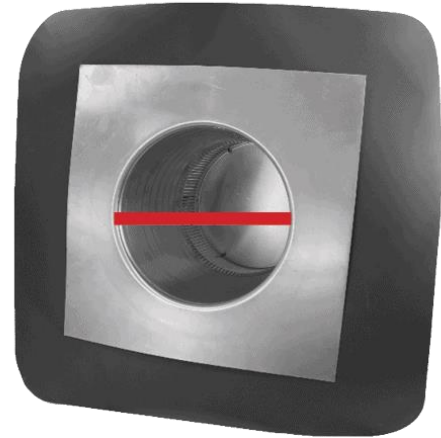
Item #	Manufacturing #	Diameter	Vent Cap and Base Material	Flashing Material	Color	Weight and Dimensions with Packaging	
						Lbs.	W,H,D In
USBVL-001	BV-6-C8-WT	6"	Aluminum	PVC	White	0.43	12,16,12
USBVL-002	BV-8-C8-WT	8"	Aluminum	PVC	White	0.72	14,16,14
USBVL-003	BV-12-C11-WT	12"	Aluminum	PVC	White	1.46	18,16,18

Dimensions (In.) of the Boot Vent Kit, BootVent.

Series		A	B	C	D	E	F	G
USBVL-001	BV-6-C8-WT	11"	6"	11"	6 ¼"	5"	9 ¼"	3 ½"
USBVL-002	BV-8-C8-WT	13"	8"	11"	8 ¼"	5"	11 ¼"	3 ½"
USBVL-003	BV-12-C11-WT	17"	12"	11"	12"	5"	16 ¼"	3 ½"



Diameter





BootVent

Data Sheet

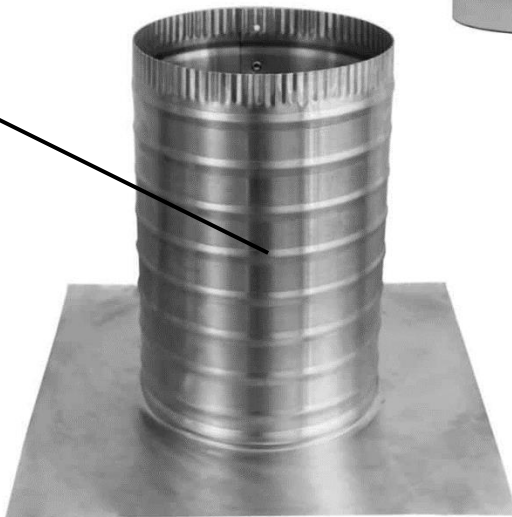
Gallery Image of the Boot Vent Kit, BootVent.



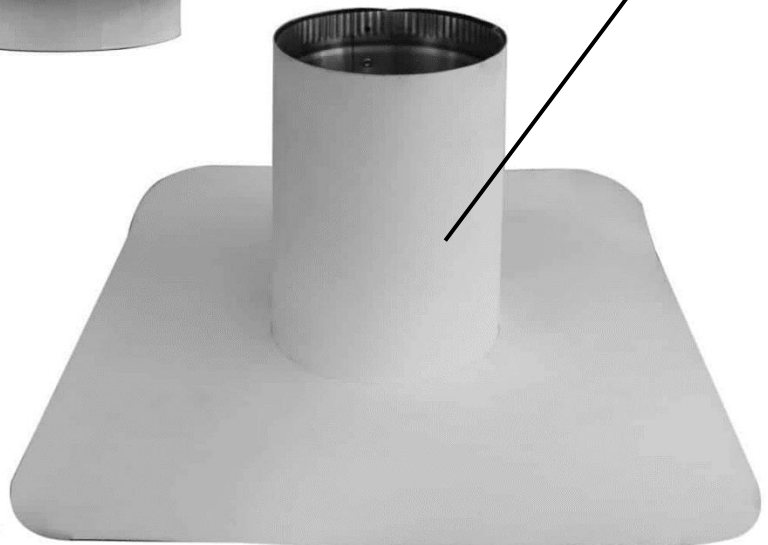
Vent Cap



Base



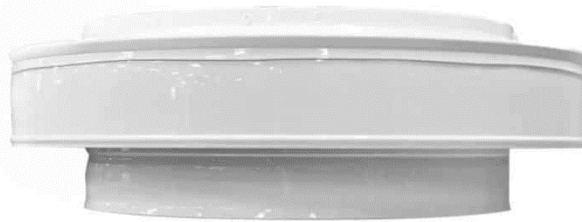
Boot Flashing





BootVent

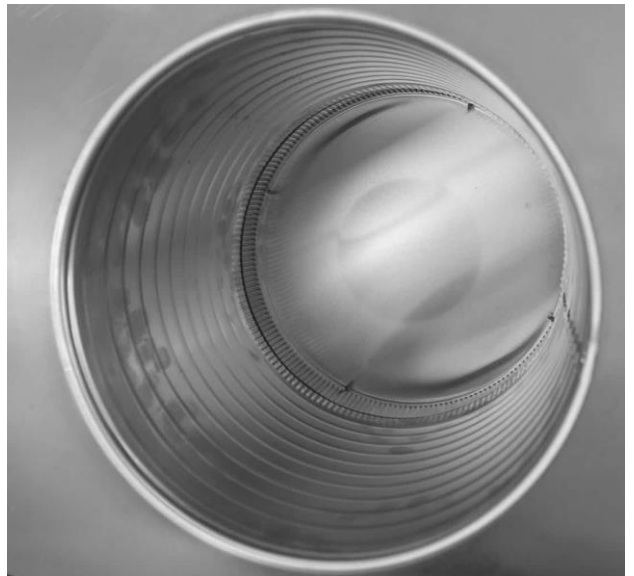
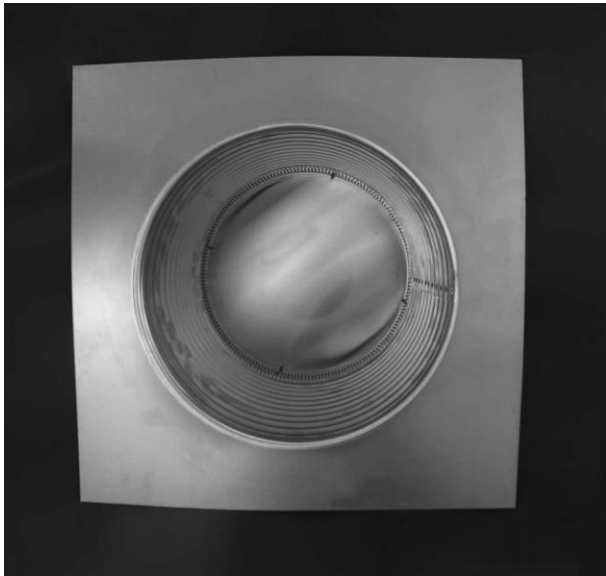
Data Sheet





BootVent

Data Sheet



ID	Author	Description Error	Description Update	Supervisor Name
V1	Marcela Roldán	New Specification Sheet	New Specification Sheet	J.L.