



# 3470 Series Commercial Fan Forced Surface Mounted Ceiling Heater with Disconnect Switch

Data Sheet

## General Characteristics 3470 Series Commercial Fan Forced Surface Mounted Ceiling Heater with Disconnect Switch

Made in U.S.A.

Contractor shall supply and install heavy duty ceiling mounted forced air electric heater(s) of the wattage, voltage and phase as indicated on the plans. The heater shall so be designed to provide an even distribution of heated air to the space to be heated by drawing return air in the periphery of the heater, across and through the element and be discharged from the center section of the heater by mean of an electric motor and axial flow fan blade.

Motor shall be permanently lubricated, unit bearing, totally enclosed shaded pole type with impedance protection. Motors shall operate at no more than 1300 RPM and shall be same voltage as the heater.

Heaters shall have a rating of 600 CFM at 1,000 F.P.M. with a maximum temperature rise of 44°F and 63.9 dB rating.

Element assemblies shall consist of two or three corrosion resistant steel sheathed type elements mechanically bonded to common corrosion resistant steel fins. Each sheathed element shall consist of helically coiled Nickel Chromium alloy resistant wire completely embedded in and surrounded by Magnesium Oxide, enclosed and wedged into corrosion resistant steel sheaths. Elements shall have 2" cold conductor pins extending into sheath and shall have a density of no more than 60 watts per inch.

Heaters shall be equipped with a "manual reset" thermal overload which disconnects elements and motor in the event normal operating temperatures are exceeded. For safety, if opened due to abnormal temperature, thermal overload shall remain open until manually reset. Automatic reset thermal overloads which allow the element to continue to cycle under abnormal conditions will not be accepted.

Use in - vestibules, entrance ways, lobbies, rest rooms and small office and guard building applications.

Optional controls must be factory installed. Field installation is not acceptable and violates Listing and factory warranty.

Degree F air rise is measured at 1,000 F.P.M. and 600 CFM.

Throw designed for 8 to 12 foot ceilings.

Decibel rating 63.9.

Unit weight: 42 lbs.

Recommended Remote Thermostats: Low Voltage: UT1001.

Maximum mounting is 12' AFF.

Includes Disconnect Switch.

**Product Applications 3470 Series Commercial Fan Forced  
Surface Mounted Ceiling Heater with Disconnect Switch**  
Air Heater for Forced Ceiling.

**Warranties 3470 Series Commercial Fan Forced Surface  
Mounted Ceiling Heater with Disconnect Switch**

Manufacturer's Limited Warranty: 1 Year.





**3470 Series Commercial Fan  
 Forced Surface Mounted  
 Ceiling Heater with  
 Disconnect Switch**

**Data Sheet**

| Specific Characteristics 3470 Series Commercial Fan Forced Surface Mounted Ceiling Heater with Disconnect Switch |    |       |       |    |      |                |     |                                    |   |          |
|--|----|-------|-------|----|------|----------------|-----|------------------------------------|---|----------|
| Item #   | KW | BTU's | Volts | PH | Amps | Temp Rise (°F) | CFM | Factory Installed Control Sections | Weight and Dimensions with Packaging (CM) |          |
|  |    |       |       |    |      |                |     |                                    | Lbs                                       | W, H, D  |
| USCCW-001  | 2  | 6826  | 208   | 1  | 9.6  | 15             | 600 | Disconnect Switch                  | 42  | 44,31,44 |
| USCCW-002  | 2  | 6826  | 240   | 1  | 8.3  | 15             | 600 | Disconnect Switch                  | 42  | 44,31,44 |
| USCCW-003  | 2  | 6826  | 277   | 1  | 7.2  | 15             | 600 | Disconnect Switch                  | 42  | 44,31,44 |
| USCCW-004  | 2  | 6826  | 480   | 1  | 4.2  | 15             | 600 | Disconnect Switch                  | 42  | 44,31,44 |
| USCCW-005  | 2  | 6826  | 208   | 3  | 5.6  | 15             | 600 | Disconnect Switch                  | 42  | 44,31,44 |
| USCCW-006  | 2  | 6826  | 240   | 3  | 4.8  | 15             | 600 | Disconnect Switch                  | 42  | 44,31,44 |
| USCCW-007  | 2  | 6826  | 480   | 3  | 2.4  | 15             | 600 | Disconnect Switch                  | 42  | 44,31,44 |
| USCCW-008  | 3  | 10200 | 208   | 1  | 14.4 | 22             | 600 | Disconnect Switch                  | 42  | 44,31,44 |
| USCCW-009  | 3  | 10200 | 240   | 1  | 12.5 | 22             | 600 | Disconnect Switch                  | 42  | 44,31,44 |
| USCCW-010  | 3  | 10200 | 277   | 1  | 10.8 | 22             | 600 | Disconnect Switch                  | 42  | 44,31,44 |
| USCCW-011  | 3  | 10200 | 480   | 1  | 6.3  | 22             | 600 | Disconnect Switch                  | 42  | 44,31,44 |
| USCCW-012  | 3  | 10200 | 208   | 3  | 8.3  | 22             | 600 | Disconnect Switch                  | 42  | 44,31,44 |
| USCCW-013  | 3  | 10200 | 240   | 3  | 7.2  | 22             | 600 | Disconnect Switch                  | 42  | 44,31,44 |
| USCCW-014  | 3  | 10200 | 480   | 3  | 3.6  | 22             | 600 | Disconnect Switch                  | 42  | 44,31,44 |
| USCCW-015  | 4  | 13600 | 208   | 1  | 19.2 | 30             | 600 | Disconnect Switch                  | 42  | 44,31,44 |
| USCCW-016  | 4  | 13600 | 240   | 1  | 16.8 | 30             | 600 | Disconnect Switch                  | 42  | 44,31,44 |
| USCCW-017  | 4  | 13600 | 277   | 1  | 14.4 | 30             | 600 | Disconnect Switch                  | 42  | 44,31,44 |
| USCCW-018  | 4  | 13600 | 480   | 1  | 8.3  | 30             | 600 | Disconnect Switch                  | 42  | 44,31,44 |
| USCCW-019  | 4  | 13600 | 208   | 3  | 11.1 | 30             | 600 | Disconnect Switch                  | 42  | 44,31,44 |
| USCCW-020  | 4  | 13600 | 240   | 3  | 9.7  | 30             | 600 | Disconnect Switch                  | 42  | 44,31,44 |
| USCCW-021  | 4  | 13600 | 480   | 3  | 4.8  | 30             | 600 | Disconnect Switch                  | 42  | 44,31,44 |
| USCCW-022  | 5  | 17000 | 208   | 1  | 24.1 | 37             | 600 | Disconnect Switch                  | 42  | 44,31,44 |
| USCCW-023  | 5  | 17000 | 240   | 1  | 20.8 | 37             | 600 | Disconnect Switch                  | 42  | 44,31,44 |
| USCCW-024  | 5  | 17000 | 277   | 1  | 18.1 | 37             | 600 | Disconnect Switch                  | 42  | 44,31,44 |
| USCCW-025  | 5  | 17000 | 480   | 1  | 10.4 | 37             | 600 | Disconnect Switch                  | 42  | 44,31,44 |
| USCCW-026  | 5  | 17000 | 208   | 3  | 13.9 | 37             | 600 | Disconnect Switch                  | 42  | 44,31,44 |
| USCCW-027  | 5  | 17000 | 240   | 3  | 12.1 | 37             | 600 | Disconnect Switch                  | 42  | 44,31,44 |
| USCCW-028  | 5  | 17000 | 480   | 3  | 6.1  | 37             | 600 | Disconnect Switch                  | 42  | 44,31,44 |

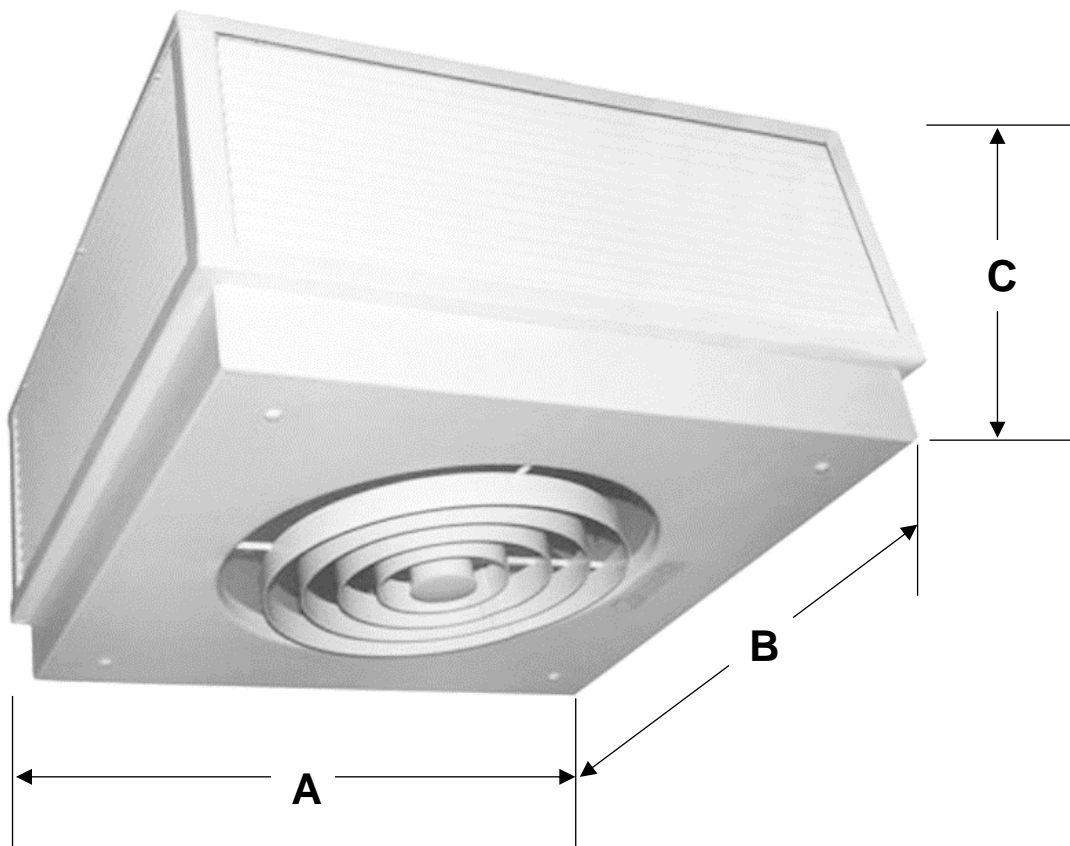


# 3470 Series Commercial Fan Forced Surface Mounted Ceiling Heater with Disconnect Switch

Data Sheet

Dimensions (in) 3470 Series Commercial Fan Forced Surface Mounted Ceiling Heater with Disconnect Switch

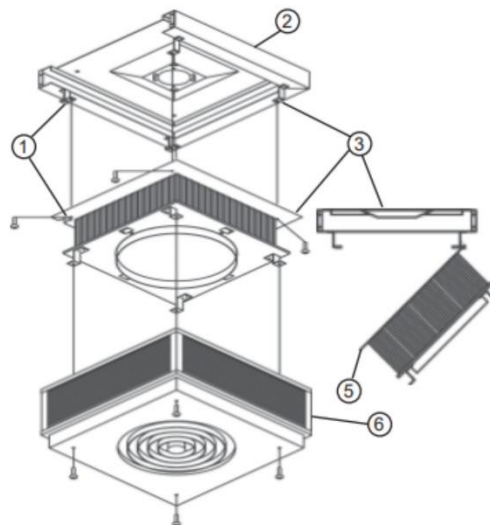
| Item #                | A  | B  | C  |
|-----------------------|----|----|----|
| USCCW-001 a USCCW-012 | 17 | 12 | 17 |





# 3470 Series Commercial Fan Forced Surface Mounted Ceiling Heater with Disconnect Switch

Data Sheet





**3470 Series Commercial Fan  
 Forced Surface Mounted  
 Ceiling Heater with  
 Disconnect Switch**

**3470/SCH SERIES**

SURFACE MOUNTING - CEILING ONLY

**INSTALLATION  
 INSTRUCTIONS**

INSTALLATION INSTRUCTIONS



TPI Corporation  
 P.O. Box 4973  
 Johnson City, TN  
 37602-4973

America's Comfort Conditioning Company

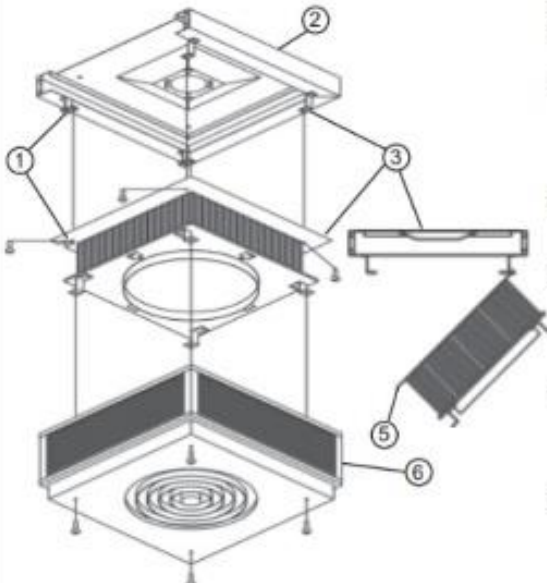
MOUNT HORIZONTAL POSITION ONLY.

DO NOT INSTALL ANY CLOSER THAN 12" TO NEAREST WALL

CHECK TO SEE THAT SERVICE VOLTAGE IS THE SAME AS HEATER VOLTAGE.

ALL WIRING MUST CONFORM TO THE NATIONAL ELECTRIC CODE AND EXISTING LOCAL CODE REQUIREMENTS.

**WARNING:** To avoid risk of fire, shock or personal injury make certain that the power source is disconnected before attempting to install, service, clean or disassemble the heater or any component. If the power disconnect is out of the line of sight, lock it in the open position and tag it to prevent the application of power.



**ATTENTION:** Read carefully before attempting to install or operate the heater.

1. Detach heater unit from ceiling mounting plate or control section by disengaging the stabilizing arms on ceiling plate from heater unit. Four (4) #8 drive screws.
2. Install ceiling mounting plate or control section to standard ceiling outlet box (4") with (2) #8-32 x 1 1/4 machine screws provided.
3. Hang heater unit from two stabilizing arms being sure to engage the two arms with the hooked ends on ceiling plate or control section with the two slots in heater back plate.
4. Connect heater leads to corresponding supply leads in outlet box (ordinary 60°C house wire can be used) and install ceiling plate access hole cover with (2) #8 drive screws that are provided.
5. Swing heater unit up to ceiling mounting plate or control section and secure with (4) # 8 drive screws provided (one screw in each of the four stabilizing arms).
6. Install heater exterior casing by sliding straight over heater units. Rotate the exterior casing so that the two 1/4" dia. holes in the exterior casing align with the manual reset limit control located on the bottom of the venturi of the heater assembly. Secure to the four bracket arms on the heater case with 4 - 10/32 x 3/4 button head machine screws provided.

FORM: 9662  
 ECO 1-5392  
 REV. 03/06

**IMPORTANT: OWNER SHOULD RETAIN THESE INSTRUCTIONS FOR FUTURE REFERENCE**

| ID | Author          | Description Error | Description Update | Supervisor Name |
|----|-----------------|-------------------|--------------------|-----------------|
| V1 | Angelica Romero | New Data Sheet    | New Data Sheet     | Jessica Lorenzo |