

# ProPac

## Características Generales de Llaves para Agua, ProPac.

El ProPac, grifo con sensor táctil y automático de agua caliente y fría para el baño, ahorro de agua, grifo eléctrico inductivo.

Es elegante y su diseño es contemporáneo, además de ahorrar agua también ahorra energía eléctrica ya que el sensor es alimentado mediante baterías.

Activación automática del sensor de movimiento sin necesidad de toque el grifo para evitar la propagación de bacterias y enfermedades.

Material de latón con acabado en cromo pulido.

La válvula fluye suavemente el agua y muestra la belleza natural al fluir.

Tipo de instalación: Montado en superficie.

Tratamiento superficial: Galvanoplastia.

Tipo: Carrete de placa de cerámica.

Temperatura del ambiente : 1-45 grados.

Color: Grifo automático de cromo.

Soporte del grifo: Solo un agujero.

Agua fría: sí.

Grado de protección : IP56.

## Aplicaciones de Llaves para Agua, ProPac.

El ProPac, es utilizado en hotel, hogar, baño, restaurantes, residencias, departamentos, oficina, consultorios, etc.

## Garantía de Llaves para Agua, ProPac.

El ProPac, cuenta con 1 año de garantía sujeto a cláusulas VentDepot.



## Características Técnicas Específicas de Llaves para Agua, ProPac.

Clave	Diámetro de la Rosca	Voltaje		Distancia del Sensor cm	Presión de Agua MPA	Sistema	Peso y Dimensiones con Empaque en cm.			
		V	Hz				Kg	Base	Alto	Ancho
<b>MXTPP-001</b>	G 1/2"	127	60	8 a 30	0.05 - 0.6	Automático	2	27	19	10





# ProPac

## Dimensiones Específicas de Llaves para Agua, ProPac en mm.

Clave	A	B	C
MXTPP-001	155	145	60





## Descripción de Llaves para Agua, ProPac.



1 Enchufe de CA



2 Batería DC



3 Válvula de control

Caja de control



4 Línea sola



5 Toma de corriente



6 Entrada





# ProPac

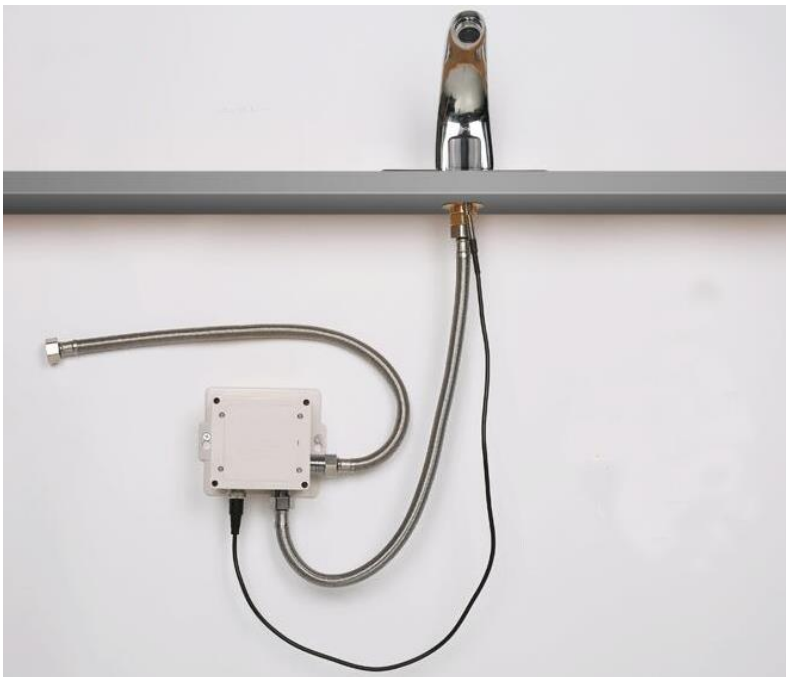
## Galería de Llave para Agua, ProPac.





# ProPac

## Galería de Llave para Agua, ProPac.





## Procedimiento general

### INSTALLATION INSTRUCTIONS FOR ELECTRONIC SENSOR ACTIVATED LAVATORY FAUCETS



#### PRIOR TO INSTALLATION

Prior to installing the Vent Depot Optima MXWFG-001/MXWKY-001/MXWKY-002/MXTPP- 001/MXWAR-001/MXSSX-001/MXOWT-001/MXWFG-001 Series Faucets, install the items listed below. Also, refer to rough-in illustrations.

- Lavatory/sink
  - Hot and cold-water supply lines or pre-tempered water supply line
- Important:
- ALL PLUMBING SHOULD BE INSTALLED IN ACCORDANCE WITH APPLICABLE CODES AND REGULATIONS.

- FLUSH ALL WATER LINES PRIOR TO MAKING CONNECTIONS.
- KEEP THREAD SEALANT OUT OF YOUR WATERWAY TO PREVENT COMPONENT PART DAMAGE! DO NOT USE ANY SEALANT ON COMPRESSION FITTINGS.

#### Trim Plates

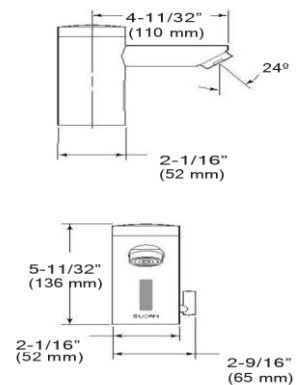
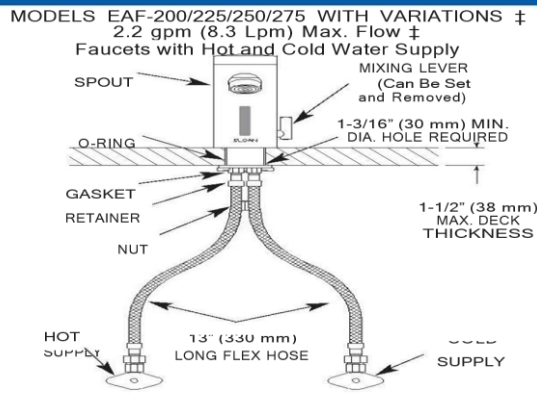
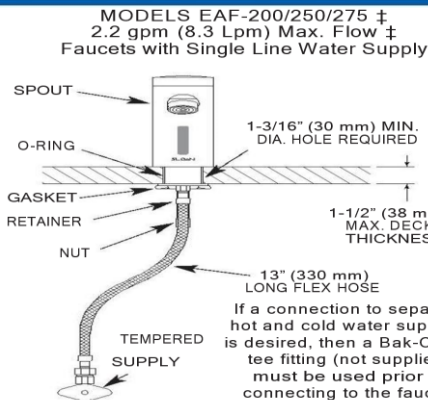
When the EAF Faucet is installed on a sink that has three (3) hole punchings, a Trim Plate should be used. Trim Plates must be specified and ordered separately.

ETF-312-A Trim Plate for 4" (102 mm) Centerset Sink  
 510-A Trim Plate for 8" (203 mm) Centerset Sink

#### TOOLS REQUIRED FOR INSTALLATION

- 13 mm open end wrench or nut driver for faucet retainer nut
- 3/4" open end wrench for female end of flex hose

#### FAUCET ROUGH-IN



± EAF-275 Series Faucets are furnished with a 0.5 gpm (1.9 Lpm) Spray Head.



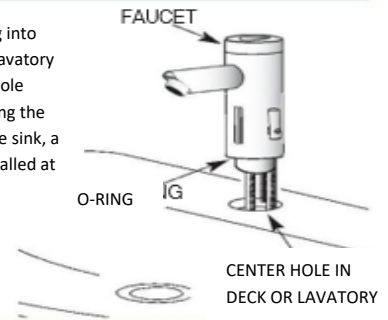


## 1 - INSTALL FAUCET.

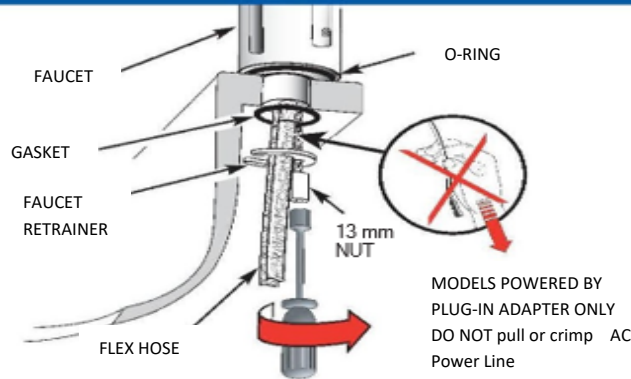
- A** Remove Nut, Faucet, Retainer and Gasket.
- DO NOT remove the O-ring from base of Faucet.



- B** Install Faucet with O-ring into the center hole deck or lavatory – 1-3/16" (30mm) min. hole required. Note: If installing the Faucet on a three (3) hole sink, a Trim Plate should be installed at this time



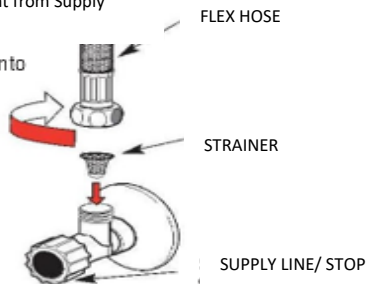
## 2 - SLIDE GASKET OVER FLEX HOSE(S) AND SECURE.



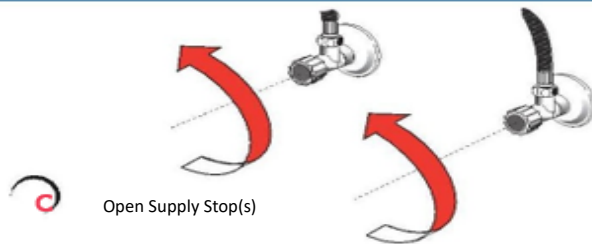
## 3 - INSTALL STRAINER AND FLEX HOSE ONTO SUPPLY STOP. OPEN SUPPLY STOPS.

IMPORTANT: Flush dirt, debris, and sediment from Supply Line(s) before Connecting Flex Hoses

- A** Install Strainer and Flex Hose onto Supply Stop.

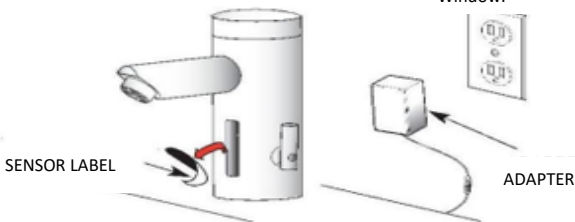


- B** Tighten the Flex Hose (with Strainer in place) securely to the Supply



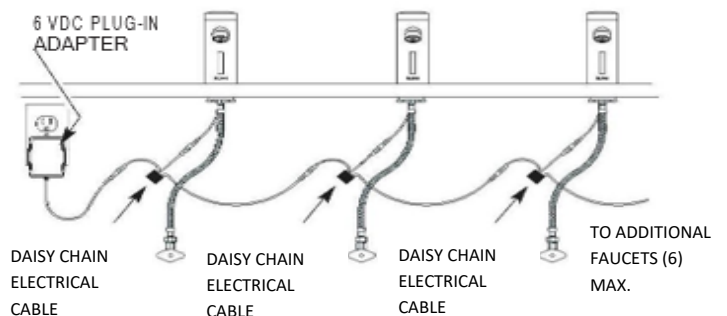
## 4 - EAF-200 MODELS: PLUG ADAPTER INTO RECEPTACLE. ALL MODELS - REMOVE LABEL FROM SENSOR.

- A** For EAF-200 Models, Plug Adapter into Receptacle



- B** Remove Label from Sensor Window.

Electrical Connection for up to Six (6) Faucets Using One (1) Adapter

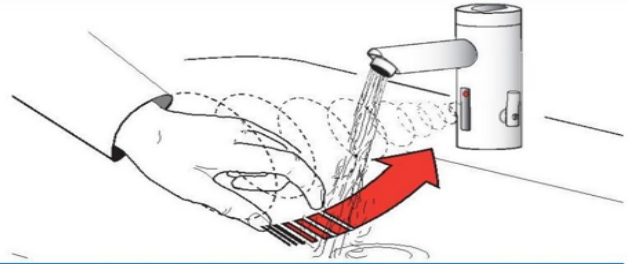


NOTE: EAF-225 can only connect one (1) faucet per one (1) adapter.



## 5 - ACTIVATE FAUCET.

- A** Activate Faucet by pressing the button one (1) time, then immediately step away. Faucet will run for four (4) seconds and the range will automatically adjust to its environment. Wait ten (10) seconds after water shuts off before using Faucet.
- B** Activate Faucet and check for leaks, If Faucet does not function, refer to the Troubleshooting section of this instruction manual



## 6 - SET AND FIX TEMPERATURE (MODEL EAF-225, SEE PAGE 5)

- A** Adjust lever to set temperature.

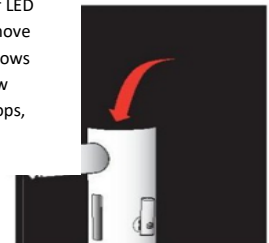
- B** Optional- To fix temperature set the desired position, then remove lever and plug hole whit Cap.

## 7 - BATTERY REPLACEMENT (EAF-250/275)

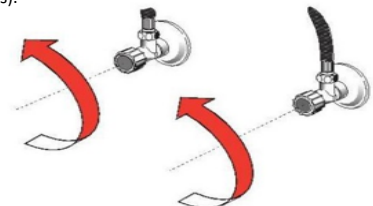
Note: Replace Battery when red LED indicator flashes each time faucet is in use or when faucet stops functioning.

- A** Close Supply Stop(s)
- B** Loosen Screw with hex wrench and remove Cap.
- C** Move Battery Retainer tab away from Battery. Remove old Battery. Dispose of properly.

- D** Insert a new 6 Volt Type CR-P2 Lithium Battery. The LED will flash for one (1) minute. Reinstall Battery Cover. If LED doesn't flash or if I Lights up, Remove and the reinse Battery. If water Flows continuous after inserting the new Battery an opening the Supply Stops, remove then reinsert the Battery



- E** Open Supply Stop(s).



## SETTINGS

i.g. -Click SETTINGS

Function	Press Button	LED Signal
Continuous Run – 2 minute default setting (adjustable from 1 - 20 minutes)	1 time for 2 seconds	5 short flashes
reset:	1 time or will reset automatically after 2 minutes	
Temporary Off	2 times (double click)	5 short flashes followed by periodic flashing
reset:	1 time or will reset automatically after 2 minutes	
Auto Set Range Adjustment	2 times (double click) and then 1 time for 5 seconds	5 short flashes followed by 4 short flashes





## TROUBLESHOOTING GUIDE

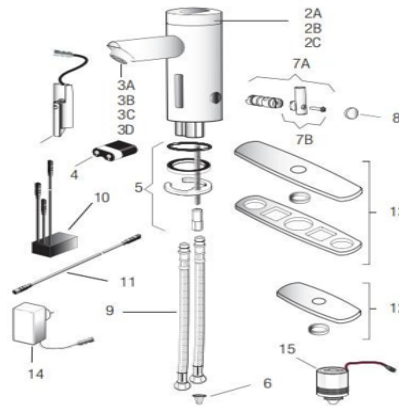
- Problem:** Faucet does not function.  
**Cause:** Adhesive packaging label from sensor eye.  
**Solution:** Remove adhesive label from sensor eye.  
**Cause:** "Permanent Off" activated.  
**Solution:** Press button on faucet throat one time.
- Problem:** Faucet delivers water in an uncontrolled manner.  
**Cause:** Faucet is defective.  
**Solution:** Contact the Vent Depot Valve Company Installation Engineering Department (see below).

**Cause:** Water supply stop(s) closed.  
**Solution:** Open water supply stop(s).  
**Cause:** Water supply stop strainer(s) clogged.  
**Solution:** Remove, clean, and reinstall water supply stop strainer(s). Replace strainer(s) if required.  
**Indicator:** Solenoid valve DOES NOT produce an audible "CLICK".  
**Cause:** Battery low (battery operated models).  
**Solution:** Replace battery (refer to Battery Replacement on Page 8).  
**Cause:** Power failure (EAF-200 Models).  
**Solution:** Check power supply.

- Problem:** Faucet delivers only a slow flow or dribble when Sensor is activated.  
**Cause:** Water supply stop(s) are partially closed.  
**Solution:** Completely open water supply stop(s).  
**Cause:** Water supply stop strainer(s) clogged.  
**Solution:** Remove, clean, and reinstall water supply stop strainer(s). Replace strainer(s) if required.
- Problem:** Faucet delivers only a slow flow or dribble when Sensor is activated.  
**Cause:** Aerator is clogged.  
**Solution:** Remove, clean and reinstall Aerator. Replace Aerator if required.  
**Cause:** Faucet is defective  
**Solution:** Contact the Vent Depot Valve Company Installation Engineering.
- Problem:** Faucet does not stop delivering water or continues to drip after user is no longer detected.  
**Cause:** Valve is defective.  
**Solution:** Contact the Vent Depot Valve Company Installation Engineering.
- Problem:** LED indicator blinks when faucet is in use.  
**Cause:** Battery low (battery operated models).  
**Solution:** Replace battery (refer to Battery Replacement on Page 8).
- Problem:** The water temperature is too hot or too cold on a faucet connected to hot and cold supply lines.  
**Cause:** Supply Stops are not adjusted properly.  
**Solution:** Adjust Supply Stops.  
**Cause:** For models with Integral mixing valve- Mixing valve is set improperly for the water temperature desired.  
**Solution:** Rotate mixing valve handle clockwise to decrease water temperature or counterclockwise to increase water temperature.  
 When assistance is required, please contact Vent Depot Valve Company Installation:

Engineering Department at:  
 Vent Depot  
 Tax ID: TVE-000110-M41  
 Miguel de la Rosa y Abraham Olvera #8 LT7 MX20,  
 Mexico Nuevo, Atizapan de Zaragoza, Edo Mex, Mexico.  
 CP52966  
 Mexico +52-55-5822-1516  
 USA: +1 (626) 771-0048  
 Peru: +51 1 644-9185  
 Mobile: +52-55-1584-3359  
 Website: VentDepot.com  
 Español: ventas@ventdepot.com  
 English: sales@ventdepot.com

## PARTS LIST



5. Item # Part # Description  
 EAF-14-A Faucet Sensor Assembly (EAF-275

- only)  
 EAF-19-A Faucet Sensor Assembly (EAF-200 and EAF-225 only)  
 EAF-21-A Faucet Sensor Assembly (EAF-250 only)  
 EAF-16-A Faucet Sensor Assembly with i.q.-Click (EAF-275 only)  
 EAF-18-A Faucet Sensor Assembly with i.q.-Click (EAF-200 and EAF-225 only)  
 EAF-20-A Faucet Sensor Assembly with i.q.-Click (EAF-250 only)  
 2A EAF-1006 Cap with Solar Cell Assembly (EAF-275 only)  
 2B EAF-27 Cap (EAF-250 and EAF-200 only)  
 2C — Cap (EAF-225)  
 3A EAF-15 0.5 gpm (1.9 Lpm) VR Pressure Compensating Spray Head  
 3B EAF-22 1.5 gpm (5.6 Lpm) Pressure Compensating Aerated Stream  
 3C EAF-10 2.2 gpm (8.3 Lpm) Aerator Spray Head  
 3D EAF-13 2.2 gpm (8.3 Lpm) Laminar Flow Spray Head  
 4 EAF-1003 Battery Replacement Kit  
 5 EAF-1 Faucet Mounting Kit  
 6 EAF-9 Strainer (Filter)  
 7A EAF-1004 Mixer Handle Assembly and Cartridge  
 7B EAF-1005 Handle Repair Kit  
 8 EAF-1007 Handle Cap  
 9 EAF-1008 13" (330 mm) Flexible Supply Hose  
 10 EAF-44 Power Splitter†  
 11 EAF-24-A 11-13/16" (300 mm) Extension Cable  
 EAF-25-A 47-1/4" (1200 mm) Extension Cable  
 EAF-17-A 126" (3200 mm) Extension Cable  
 12 ETF-312-A Trim Plate for 4" Centerset Sink  
 13 ETF-510-A Trim Plate for 8" Centerset Sink  
 14 EAF-11 Plug-in Adapter (Models EAF-200/225)  
 15 EAF-2 Solenoid  
 EAF-44 replaces the separate EAF-23-A Splitter Cable and EAF-28 Capacitor, which is sold separately

Versión de Corrección	Nombre del Autor	Descripción del Error	Descripción de la Corrección	Vo.Bo. Supervisor
V1	Jessica Lorenzo	Ficha Nueva	Ninguna	Antonio García

